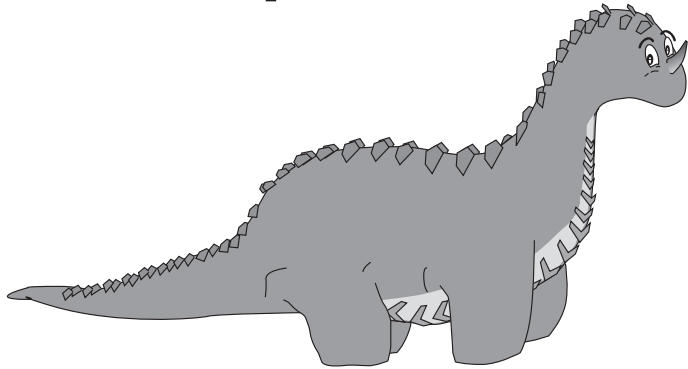


# 特殊棧加工中寄ベルト Special shape Chevron Belt



弊社では特殊形状の中寄ベルトを準備しています。  
棧とカバーゴムを一体成型とすることで、棧が脱落しにくくなっています。

搬送物、目的、用途に応じて材質、形状を選定ください。

We can supply any type and size of Chevron Conveyor belt for the incline conveyor.

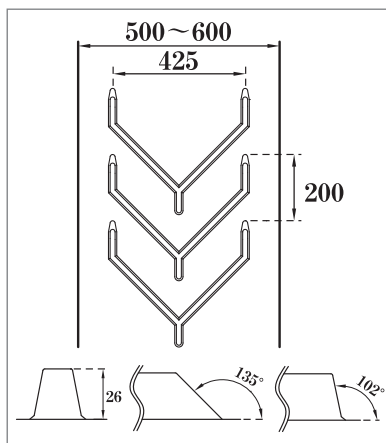
The cleat for Chevron shape has been vulcanized by hop vulcanized method in order to prevent the peeling between a cleat and belting.

We can propose a lot of selection of the rubber material and cleat pattern depends on the carrying material and purpose/usage.

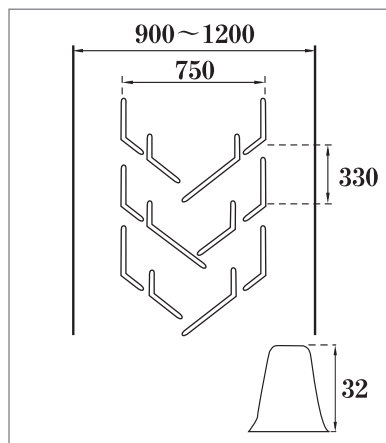
Please kindly consult us any additional requirements if you have.

## Y26AV400~C25AP1000

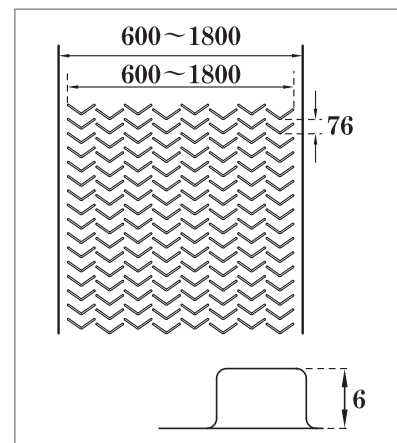
Y26AV400



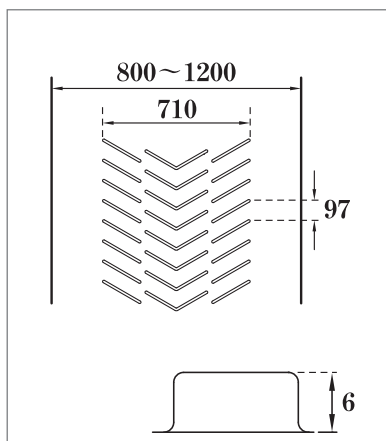
C32AP750



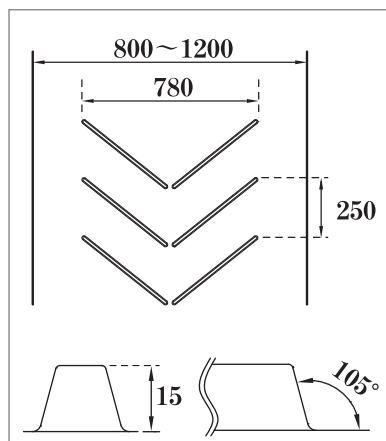
V6AP1800



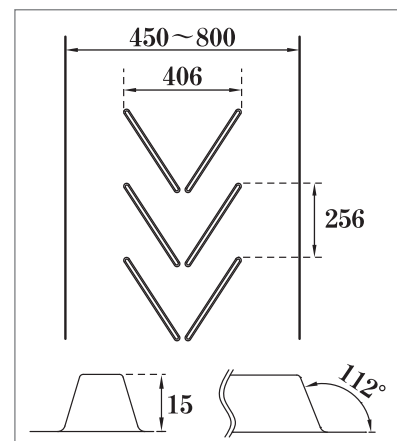
E6AP710



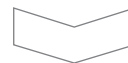
C15AP750



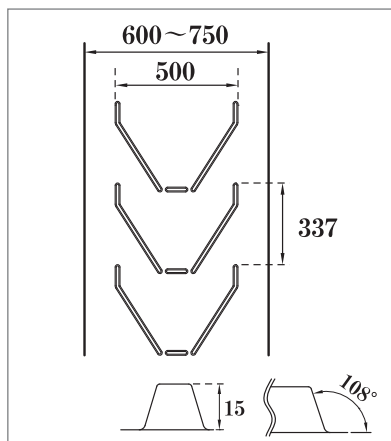
C15AP385



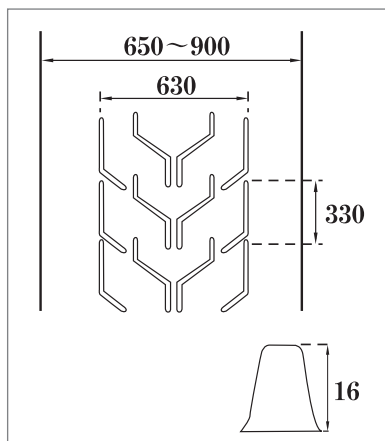
# Y26AV400~C25AP1000



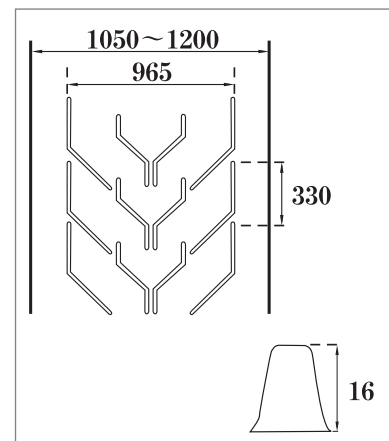
C15AP500



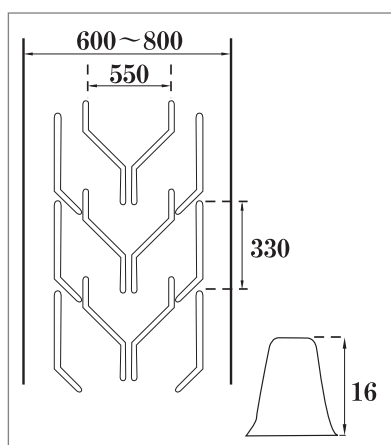
Y16AP630



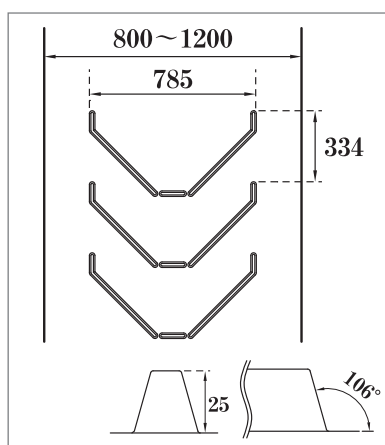
Y16AP950



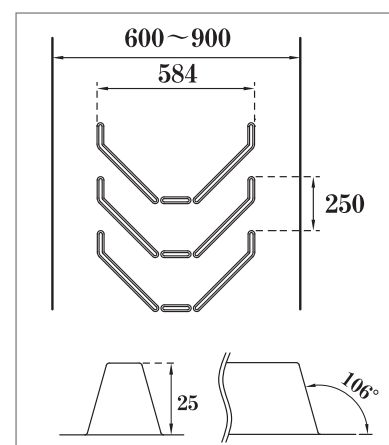
Y16AP550



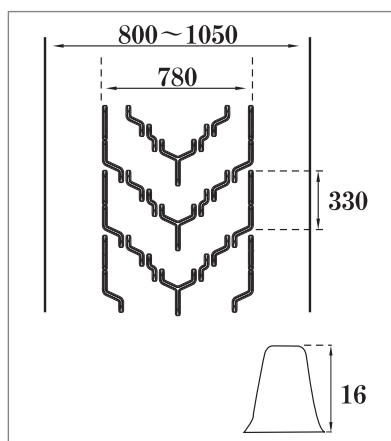
C25AP750



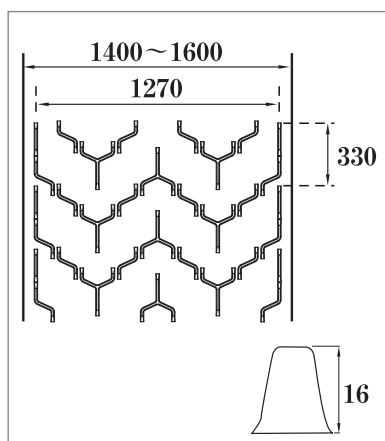
C25AP550



G16AP780



G16AP1270



C25AP1000

